

# ICSD L3 MEI

The ICSD (In Cassette Staining Device) L3 MEI Solution is an Intelligent Banknote Neutralization System with security ink as a neutralization agent designed for MEI cashflow® cassettes. This system provides a high-quality staining performance and can be used to protect the funds during the complete cash cycle.



- Designed for end-to-end solutions
- Indelible security ink
- Fast and effective staining
- Self-protected cassette

# ICSD L3 MEI

The ICSD L3 MEI solution is a cassette upgrade kit designed for the Cashflow® cassette. The solution continuously and efficiently protects the funds held in the cassette both inside and outside the cash deposit machine. All possible cassette functions (modes, activation sequences, etc.) are programmed within the cassette and commanded by the Security Control Module.

## SPECIFICATIONS

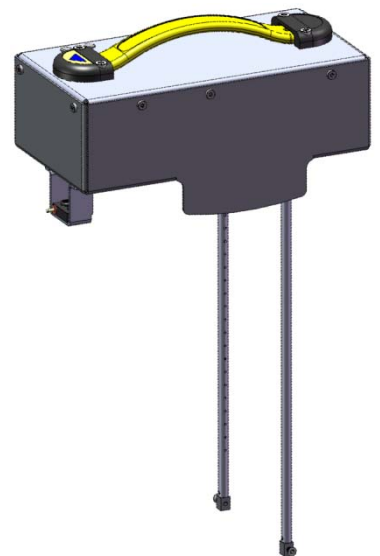
	Outside Dimensions (Depth x Width x Height in mm)	Weight
ICSD MEI L3 cassette upgrade kit	197 x 102 x 59	≈ 1,5 kg

## FEATURES

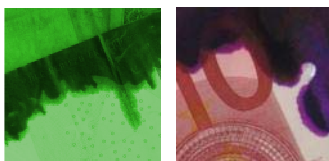
- Fast and effective staining
- No explosive used
- Possibility of remote activation
- Possibility of geofencing
- User-friendly status indicators (LED, buzzer)

## OCP SECURITY CONTROL MODULE (SCM)

- Module located inside the cash deposit machine
- Encrypted wireless communication with the cassette
- Remote switching of cassette security modes
- Detection of the opening / closing of the safe door
- Intelligent detection of attack modes
- Communication with cash deposit machine



## INK STAINING SPECIFICATIONS



- High level of staining : 100% of banknotes and 20% of surface area of each note
- Fast ink delivery
- Non hazardous ink used
- Truly indelible ink staining. Meets international standards
- Ink deployed stained notes can be traced